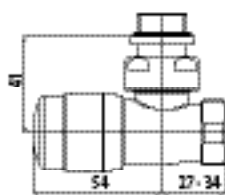


Accessories for hydraulic connections



Angle valve and lockshield valve
Figure 1

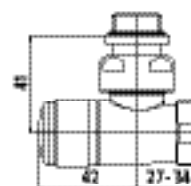
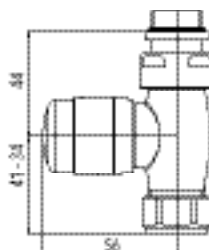
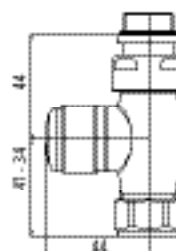


Fig. 1



Straight valve and lockshield valve
Figure 2



• For different color code see the colours page

Kit for thermostatic angle valve and lockshield valve (figure 1)



Description

Angle valve and lockshield valve with 1/2" multilayer/copper connection, white
Angle valve and lockshield valve with 1/2" multilayer/copper connection, chrome plated
Angle valve and lockshield valve with 1/2" multilayer/copper connection, colored

Code

VALKITSQUCU 01
VALKITSQUCU 50
VALKITSQUCU XX

The valve and lockshield valve kits come complete with 12 and 14 copper connections, 14 (2 thick) and 16 (2 thick) multilayer connections.

Pipe cover kit not included in the price (see pag. 295)

^(*) List of colors and/or finishes pag. 320

Kit for thermostatic straight valve and lockshield valve (figure 2)



Description

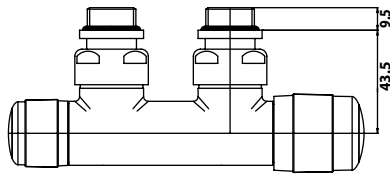
Straight valve and lockshield valve with 1/2" multilayer/copper connection, white
Straight valve and lockshield valve with 1/2" multilayer/copper connection, chrome plated
Straight valve and lockshield valve with 1/2" multilayer/copper connection, colored

Code

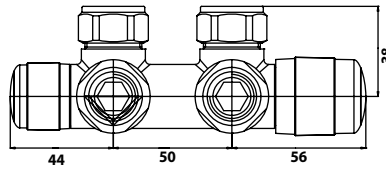
VALKITDIRCU 01
VALKITDIRCU 50
VALKITDIRCU XX

The valve and lockshield valve kits come complete with 12 and 14 copper connections, 14 (2 thick) and 16 (2 thick) multilayer connections.

^(*) List of colors and/or finishes pag. 320



Thermostatic angle reversible valve and lockshield valve group 50 mm
Figure 3



Thermostatic straight v. and lockshield valve gr 50 mm
Figure 4

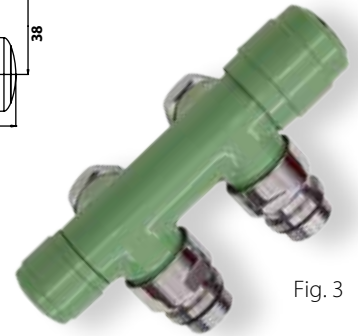
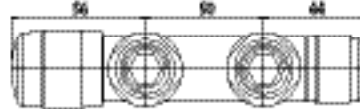
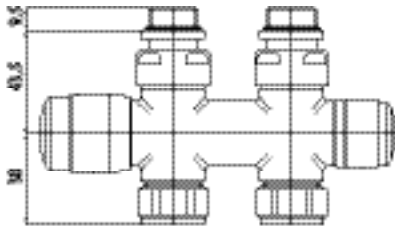


Fig. 3

Kit for thermostatic 50 mm valve group (figure 3)



Description

Thermostatic angle reversible valve and lockshield valve group with 1/2" multilayer/copper conn., white
Thermostatic angle reversible valve and lockshield valve group with 1/2" multilayer/copper conn., chrome
Thermostatic angle reversible valve and lockshield valve group with 1/2" multilayer/copper conn., colored

Code

VALKIT50SQUCU 01
VALKIT50SQUCU 50
VALKIT50SQUCU XX

The valve and lockshield valve kits come complete with 12 and 14 copper connections, 14 (2 thick) and 16 (2 thick) multilayer connections.

Pipe cover kit not included in the price (see pag. 295)

^(*) List of colors and/or finishes pag. 320

Kit for thermostatic 50 mm valve group (figure 4)



Description

Thermostatic straight valve and lockshield valve group with 1/2" multilayer/copper connection, white
Thermostatic straight valve and lockshield valve group with 1/2" multilayer/copper connection, chrome
Thermostatic straight valve and lockshield valve group with 1/2" multilayer/copper connection, colored

Code

VALKIT50DIRCU 01
VALKIT50DIRCU 50
VALKIT50DIRCU XX

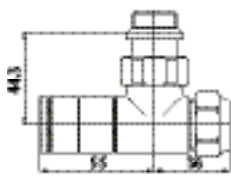
The valve and lockshield valve kits come complete with 12 and 14 copper connections, 14 (2 thick) and 16 (2 thick) multilayer connections.

^(*) List of colors and/or finishes pag. 320

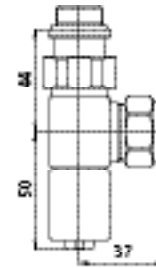
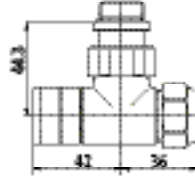
Accessories for hydraulic connections



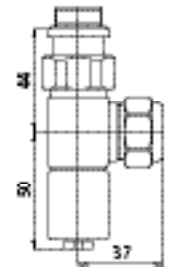
Fig. 6



Angle valve and lockshield valve
Figure 5



Space-saving valve and lockshield valve
Figure 6



• For different color's codes see inside of the back cover

Kit not thermostatic valve and lockshield valve (figure 5, 6)



fig. 5



fig. 6

Description

Chrome-plated angle valve and lockshield valve, 1/2" multilayer/copper connection (fig. 6)

Satin finish angle valve and lockshield valve, 1/2" multilayer/copper connection (fig. 5)

Chrome-plated reversible angle valve and lockshield valve, square, multilayer/copper connection

Code

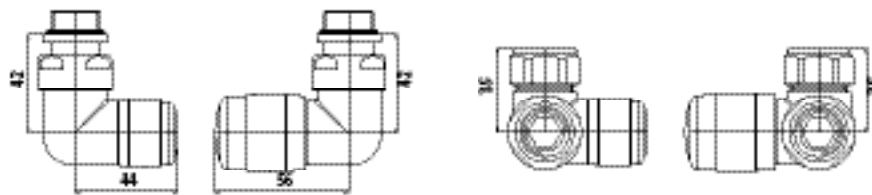
VALKITTONDO 50

VALKITTONDO 55

VALKITQUAD 50

The valve and lockshield valve kits come complete with 12, and 14 copper connections.

Pipe cover kit not included in the price (see pag. 295)



Valve and lockshield valve
Figure

Kit space-saving valve and lockshield valve (figure 7)



fig. 7



Fig. 7

Description

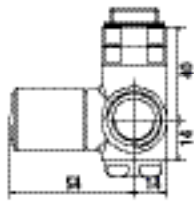
Thermostatic angle valve and lockshield valve with 1/2" multilayer/copper connection, chrome plated

Code

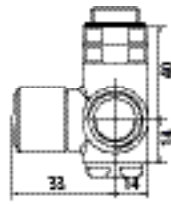
VALKITSALVCU 50

The valve and lockshield valve kits come complete with 12 and 14 copper connections, 14 (2 thick) and 16 (2 thick) multilayer connections.

Pipe cover kit not included in the price (see pag. 295)



Valve and lockshield valve for mixed function
Figure 8



Kit saving-space valve and lockshield valve for 1/2" mixed function (figure 8)



Description

Angle saving-space valve and lockshield valve for mixed function, white
Angle saving-space valve and lockshield valve for mixed function, chrome-plated

Code

VALKITSQMIST 01
VALKITSQMIST 50

**The valve and lockshield valve kits come complete with 12 and 14 copper connections, 14 (2 thick) and 16 (2 thick) multilayer connections.
Pipe cover kit not included in the price (see pag. 295)**

Copper/Iron Adapter



Fig. 9

Description

Copper/iron adapter, 1/2" chrome plated (fig. 9)

Code

RACCUFE12 50

Thermostatic head



Fig. 10



Fig. 11



Fig. 12



Fig. 13

Fig. 14

Fig. 15

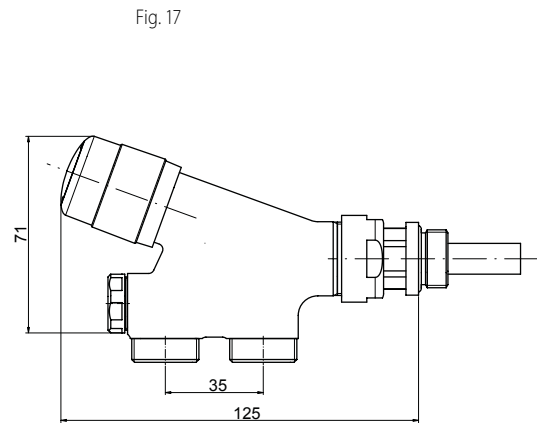
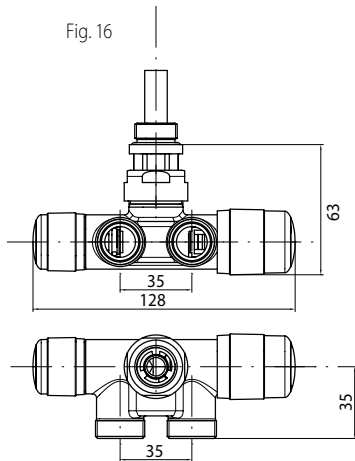
Description

Liquid-filled thermostatic head with chromium plated and white (Fig. 10)
Liquid-filled thermostatic head with chromium plated polished (Fig. 11)
Liquid-filled thermostatic head with chromium plated satin (Fig. 12)
Adapter for thermostatic head M30x1,5 and M24 available for Step products (Fig. 13)
Adapter for thermostatic head M30x1,5 with two grains (Fig. 14)
Extension for thermostatic head available only for Tratto (Fig. 15)

Code

TESTELIQ3 01
TESTELIQ3 50
TESTELIQ3 55
VALGHITERM1
AKITVPROLTERM1
AKITVPROLTERM2

Accessories for hydraulic connections



Kit monotube angle thermostatic valve (figure 16)



Description

Kit monotube angle valve with 1/2" multilayer/copper connection, white
 Kit monotube angle valve with 1/2" multilayer/copper connection, chrome plated
 Kit monotube angle valve with 1/2" multilayer/copper connection, coloured

Code

VALMONSQU 01
VALMONSQU 50
VALMONSQU XX

The valve and lockshield valve kits come complete with 12 and 14 copper connections, 14 (2 thick) and 16 (2 thick) multilayer connections.
 Pipe cover kit monotube - price on request

Kit monotube straight thermostatic valve (figure 17)



Description

Kit monotube straight valve with 1/2" multilayer/copper connection, white
 Kit monotube straight valve with 1/2" multilayer/copper connection, chrome plated
 Kit monotube straight valve with 1/2" multilayer/copper connection, coloured

Code

VALMONDIR 01
VALMONDIR 50
VALMONDIR XX

The valve and lockshield valve kits come complete with 12 and 14 copper connections, 14 (2 thick) and 16 (2 thick) multilayer connections.

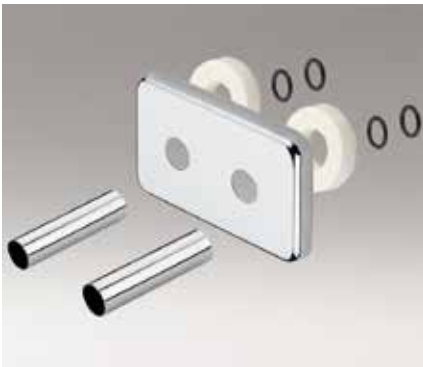
Pipe cover kit for radiator installation



Description

Description	Code
2 white pipe cover kit length 70 mm (*)	VALKITCOPTU70 01
2 chrome plated pipe cover kit length 70 mm (*)	VALKITCOPTU70 50
2 satin pipe cover kit length 70 mm (*)	VALKITCOPTU70 55
2 white pipe cover kit length 160 mm (*)	VALKITCOPT160 01
2 chrome plated pipe cover kit length 160 mm (*)	VALKITCOPT160 50
2 satin pipe cover kit length 160 mm (*)	VALKITCOPT160 55

Pipe cover kit pitch 50 mm for radiator installation



Description

Description	Code
White pipe cover kit pitch 50 mm, length 160 mm (*)	VALKITCOPT50 01
Chrome plated pipe cover kit pitch 50 mm, length 160 mm (*)	VALKITCOPT50 50
Satin pipe cover kit pitch 50 mm, length 160 mm (*)	VALKITCOPT50 55

Air vents



Description

Description	Code
1/2" adjustable chrome-plated and white air vent (Fig. 1)	ASIVAL03E
3/8" adjustable chrome-plated and white air vent (Fig. 1)	ASIVAL04
3/4" adjustable chrome-plated and white air vent	ASIVAL09
1/2" adjustable all chrome-plated air vent (Fig. 2)	ASIVAL03CRO
Air vent key (Fig. 3)	ATCHIAVSFIA
1/2" chrome-plated end plug (Fig. 4)	ASITAP 01
1/2" chromium-plated plug with recessed hexagonal head (8 mm) (Fig. 5)	ASITAP 07
3/8" chromium-plated plug with recessed hexagonal head (8 mm) (Fig. 5)	ASITAP 08
3/4" chromium-plated plug with recessed hexagonal head (8 mm) (Fig. 5)	ASITAP 09
Plastic white plug for ASITAP07 and ASITAP08 (Fig. 6)	ASITAPCOP
Plastic chrome plug for ASITAP07 and ASITAP08 (Fig. 7)	ASITAPCOPCRO
Automatic air vent, chrome plated (Fig. 8)	ASIVAL06ACRO
Extension 1/2" M. - 15 mm diameter (Fig. 9)	PRO1612050
Extension 1/2" M. - 16 mm diameter (Fig. 9)	PRO1517550